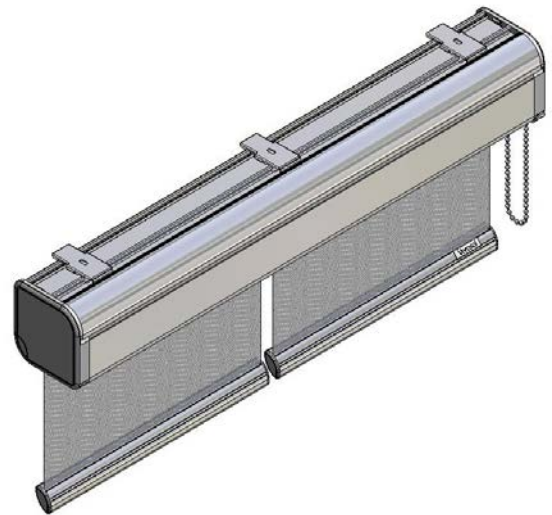


Rollerblind QS84 Multi **Cassette**

Product information

Up to three cassette systems with only a 20mm light gap between the fabrics. The systems are linked with special intermediate brackets with a roller bearing.

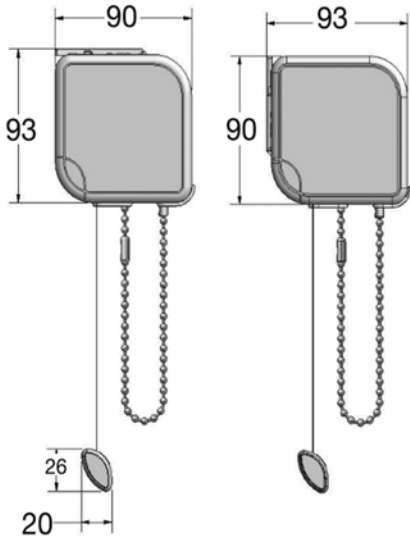
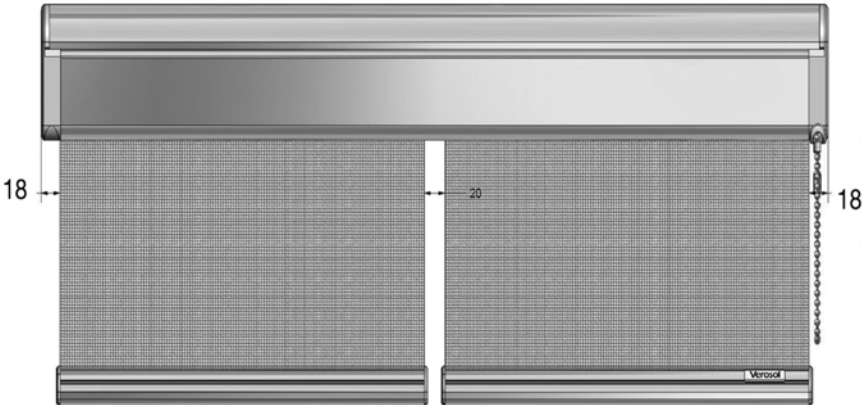


Technical information

Product Code	QS84.0	QS84.4
Product Name	Multi Roller blind Cassette	Multi Roller blind cassette
Operation	Chain Operation	230V AC Somfy
Tube	Material Extruded Aluminium \varnothing 44mm, 49mm, 57mm	Extruded Aluminium
Number of sections	Maximum 3 sections over maximum 4500 width	Max 3 sections
Dimensions	With 400mm min - 3000mm max (depending on tube and fabric)	600mm min - 3000mm max
	Drop 300mm min - 4000mm max (depending on tube and fabric)	300mm min - 5000mm max
	Maximum Area 18m ² over 3 sections	28m ² over 3 sections
Cassette	Material Extruded Aluminium Alloy- Asymmetric Profile	
	Dimensions 90mm W x 93mm H	
	Colours RAL 9001, 9010, 9016, Clear Anodised	
Bottom Rail	Material Extruded Aluminium Alloy- Asymmetric Profile	
	Dimensions 20mm W x 25mm H	
	Colours RAL 9001, 9010, 9016, Clear Anodised	
	Paint Electrostatic Powder coated and Baked	
End Caps	Material UV Stabilised Polymer Acrylic	
	Colours Grey,White,Black	
Chain	Material Aluminium or Stainless Steel	
Installation Brackets	Material Electro Plated Steel	
	Operation Top or Face Fixing - concealed when installed	

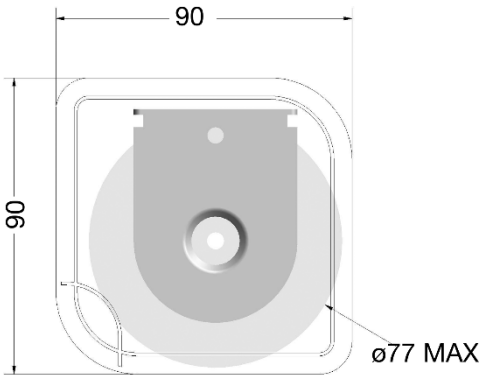
Rollerblind QS84 Multi **Cassette**

System diagrams



Top Fix

Face Fix



Dimensions